

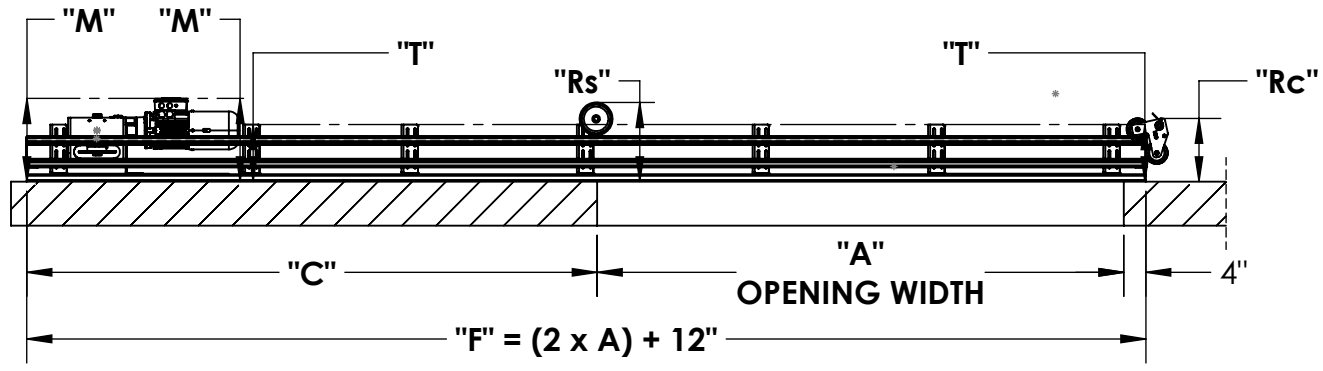
4

3

2

1

DIMENSIONS	"A"	"B"	"C"	"E"	"F"
INCHES			0	0	0
MILLIMETERS			0	0	0



Standard Features

- Standard white panel
- 4" panel thickness - R17 with and EVA foam core
- Thermoplastic outer shell
- Polyurethane elastomer edge seal
- Dynalogix 5 Control System with HMI capability
- Self diagnostics with Dynalogix 5
- Full perimeter adjustable gasket seal
- Galvanized track system
- Two sets of through beam photo eyes
- Manual panel release system on both sides of panel

Electrical Options

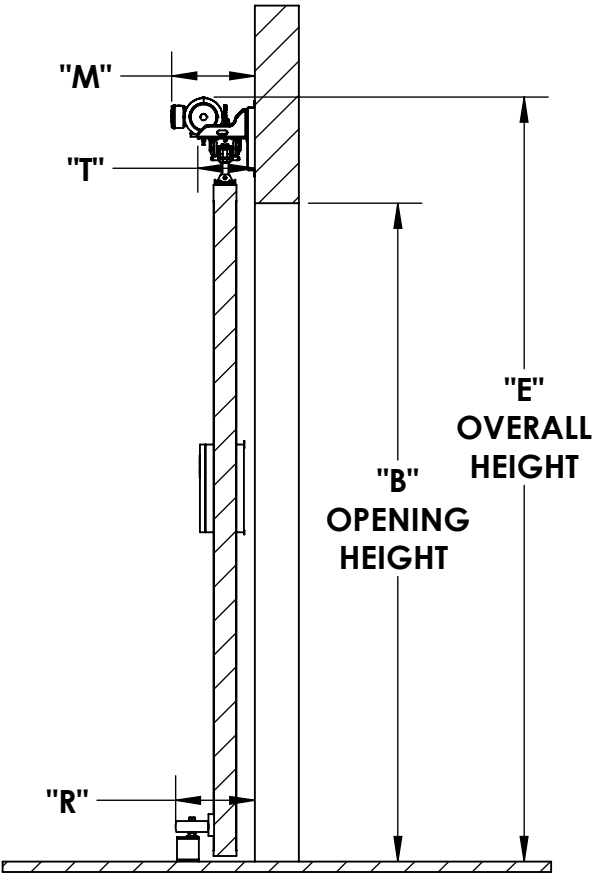
460V - 3 PH	575V - 3 PH	
230V/208V - 3 PH	230V - 1 PH	

Panel Options

6" Thick - R25 Panel		
8" Thick - R32 Panel		
10" Thick - R41 Panel		
Panel Color - BLUE		

Activation Devices

Other Options



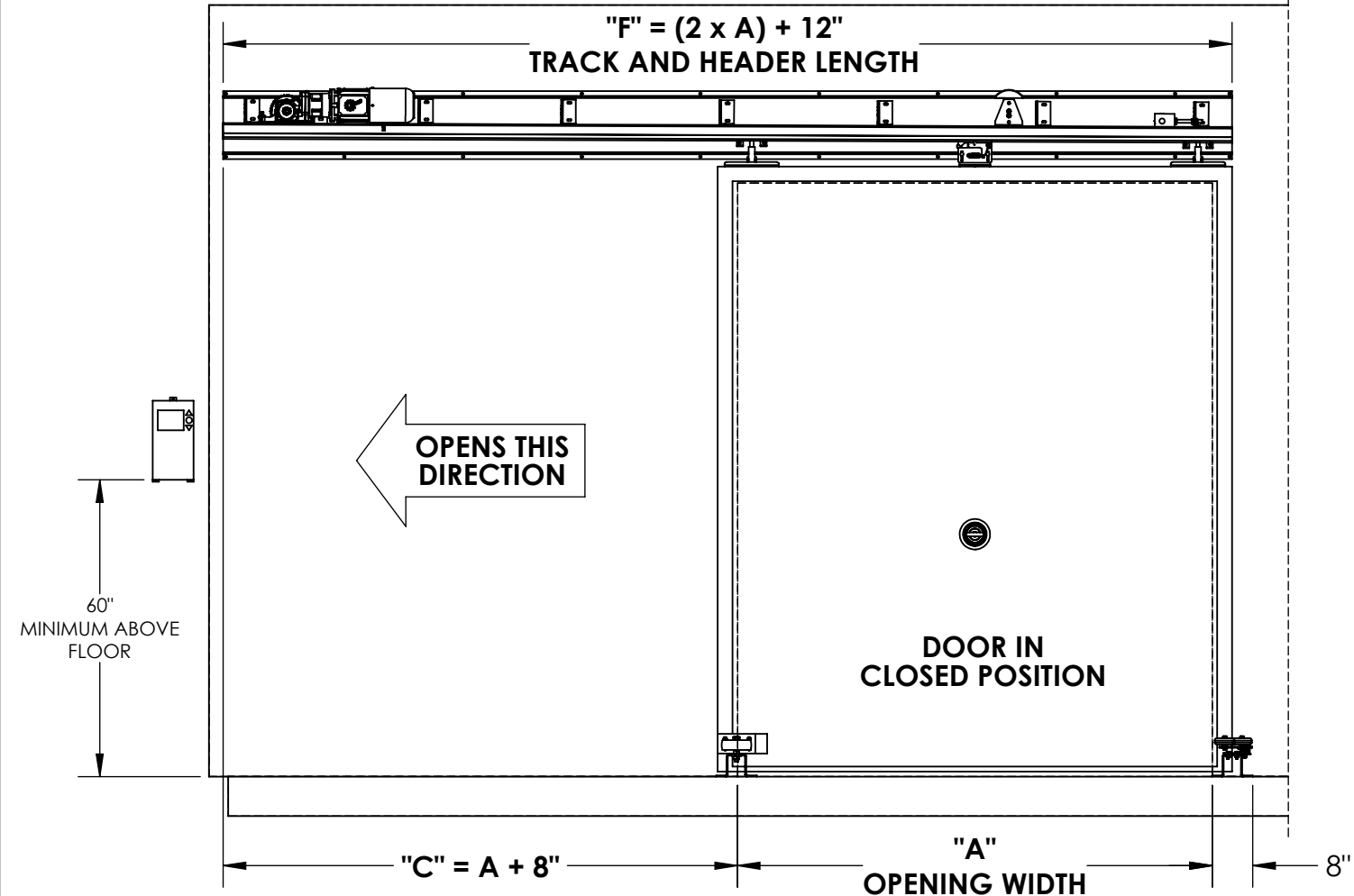
	"M"	"T"	"Rs"	"Rc"
4" PANEL (R17)	15.25	10.5	14.5	11.75
6" PANEL (R25)	16.25	10.5	16.5	13.75
8" PANEL (R32)	17.75	13.75	18.5	15.75

B

B

A

A



TITLE: **RS1100-3**

SIZE	DWG. NO.	REV
B	DOOR TYPE 3 SINGLE SLIDE	

SCALE: 1:35 WEIGHT: SHEET 1 OF 1

4

3

2

1